

Mini Extender for DVI-D and Stereo Audio over Fiber

**Distribute DVI-D video and stereo audio up to 1.5 kilometers over a single strand of fiber.**



## FEATURES

- » Delivers high-quality multimedia content in real time from a media player to a distant screen while maintaining crystal-clear video. A high-definition video signal from a single player to a display can be extended up to 1.5 kilometers without electrical support for splitters.
- » Provides optical isolation and immunity to EMI/RFI.
- » The DVI Extender increases the range of the display network and enables you to set up your screens at any locations without sacrificing the quality of media.
- » Supports audio extension. The DVI Extender transmits both audio and video over a single fiber optic cable.
- » Extends all DVI VESA standards all the way up to a 1920 x 1200 resolution.
- » Offers programmable EDID. The transmitter reads and stores the display's EDID information to support any type of display and video resolution.
- » Consumes very little power. Transmitters and receivers consume 3 W or less for transmitting and receiving Full HD resolution video signals and CD-quality audio.
- » Split, extend, and distribute DVI video and stereo audio using the passive fiber splitters.

## OVERVIEW

The DVI Extender transmits high-quality video signal formats and audio to up to 32 remote displays using passive optical splitters, without compromising the original media quality. The DVI Extender delivers a full HD resolution signal through one fiber optic cable up to 1.5 kilometers. It's an ideal solution for systems where high-resolution and high-quality video signals need to be extended and distributed over long distances. Fiber optic cabling ensures 100% optical isolation between transmitter and receiver and also makes this a solution ideal for applications with a high level of EMI/RFI.

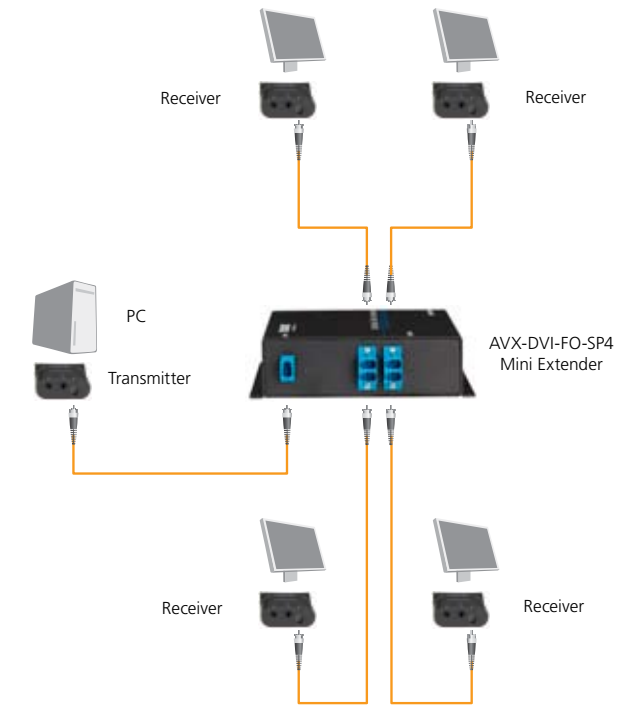
Connect the extender in a point-to-point configuration to transmit high-resolution video to a remote display. The transmitter module is compatible with all kinds of display devices. In addition to its built in EDID table, it has the ability to read and store the connected display's EDID information to prevent EDID handshake problems. Installing the extender is easy and flexible.

Connect the extender in a point-to-multipoint configuration to distribute high-resolution video to up to 32 displays. Use the 4- and 8-port splitters to distribute video from one source to 4 or 8 displays, or use the cascadable 2-port splitter to daisy chain several displays. It is even possible to combine different splitters, depending on the optical budget. All splitters are passive devices and do not require external power.

Typical applications include public informational displays in elevators, trains, subways, airports, shopping malls, museums, or hotels.

Use the DVI Extender with an LC fiber optic cable.

**System configuration:** The transmitter module encodes the audio/video signal into an optical signal and the receiver module decodes the optical signal back into the original audio/video signal.



### What's included

#### AVX-DVI-FO-MINI:

- ◆ Mini Fiber Transceiver
- ◆ Mini Fiber Receiver
- ◆ (2) 5-VDC wallmount power supplies with international adapters for U.S., U.K., AU, and EU
- ◆ (2) 5-ft. (1.5-m) male-male 3.5-mm audio cables
- ◆ A user's manual

#### AVX-DVI-FO-MINI-RX:

- ◆ Mini Fiber Receiver
- ◆ (1) 5-VDC wallmount power supply with international adapters for U.S., U.K., AU, and EU
- ◆ (1) 5-ft. (1.5-m) male-male 3.5-mm audio cables
- ◆ A user's manual

#### AVX-DVI-FO-SPCS:

- (1) 2-Port Fiber Splitter

#### AVX-DVI-FO-SP4:

- (1) 4-Port Fiber Splitter

#### AVX-DVI-FO-SPC8:

- (1) 8-Port Fiber Splitter

## TECH SPECS

**Color Depth** — 24-bit true color  
**Data Rate** — 5 Gbps (2.5 Gbps per single wavelength)  
**Distance** — Multimode cable: 1600 ft. (500 m);  
 Single-mode cable: 5000 ft. (1.5 km)  
**Fiber Type** — Single-mode or multimode  
**Optical Budget** — 16 dB  
**Receiver Sensitivity** — -21 dB  
**Resolutions** — Supports up to WUXGA (1920 x 1200)  
**Wavelength** — 1310 nm/1550 nm (dual wavelength)  
**Operating Temperature** — 32 to 122° F (0 to 50° C)  
**Power Consumption** — 2.5 W max.  
**Video Standard** — Complies with DVI 1.0  
**Indicators** — (1) two-color LED for Power and Link status  
**Connectors** — AVX-DVI-FO (kit): Receiver: (1) 24-pin DVI-D, (2) 3.5-mm audio, (1) barrel connector for power;  
 Transmitter: (1) 24-pin DVI-D, (2) 3.5-mm audio, (1) barrel connector for power;  
 Splitters: AVX-DVI-FO-SPCS: (3) LC connectors: (1) for interconnect, (4) for devices;  
 AVX-DVI-FO-SP4: (5) LC connectors: (1) for interconnect, (4) for devices;  
 AVX-DVI-FO-SP8: (9) LC connectors: (1) for interconnect, (8) for devices

*NOTE: The splitters transmit both audio and video signals over one single-strand, single-mode fiber cable.*

**Size** — 0.6"H x 1.5"W x 2.7"D (1.5 x 3.9 x 6.9 cm)

**Weight** — 0.2 lb. (0.1 kg)

### Item

### Code

Mini Extender Kit for DVI-D and  
 Stereo Audio over Fiber  
 Receiver  
 Fiber Splitters  
 2-Port  
 4-Port  
 8-Port

**AVX-DVI-FO-MINI**  
**AVX-DVI-FO-RX**

**AVX-DVI-FO-SPCS**  
**AVX-DVI-FO-SP4**  
**AVX-DVI-FO-SP8**

## Why Buy From Black Box? Exceptional Value. Exceptional Tech Support. Period.

Recognize any of these situations?

- You wait more than 30 minutes to get through to a vendor's tech support.
- The so-called "tech" can't help you or gives you the wrong answer.
- You don't have a purchase order number and the tech refuses to help you.
- It's 9 p.m. and you need help, but your vendor's tech support line is closed.

According to a survey by *Data Communications* magazine, 90% of network managers surveyed say that getting the technical support they need is extremely important when choosing a vendor. But even though network managers pay anywhere from 10 to 20% of their overall purchase price for a basic service and support contract, the technical support and service they receive falls far short of their expectations—and certainly isn't worth what they paid.

At Black Box, we guarantee the best value and the best support. You can even consult our Technical Support Experts before you buy if you need help selecting just the right component for your application. Don't waste time and money—call Black Box today.



AVX-DVI-FO-MINI



AVX-DVI-FO-SPCS



AVX-DVI-FO-SP8